



Window Works



Fairview Rebranding

Brand



- New consumer focused Fairview brand
- Simplified our range of products
- Easier to understand images, language and terminology
- Unique five step decision making process



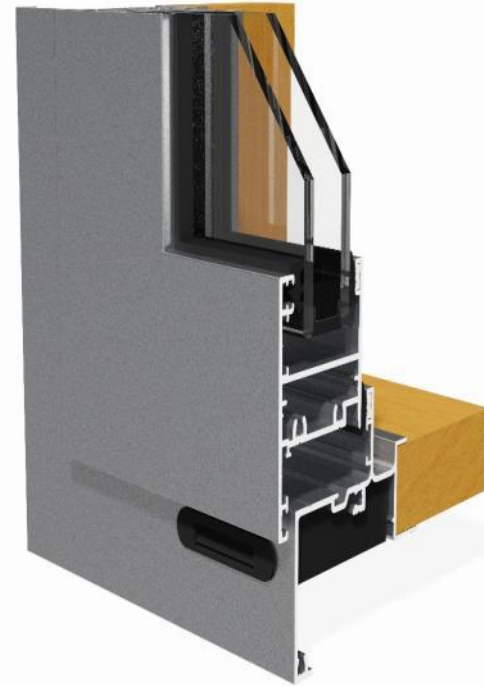


Architectural Linear

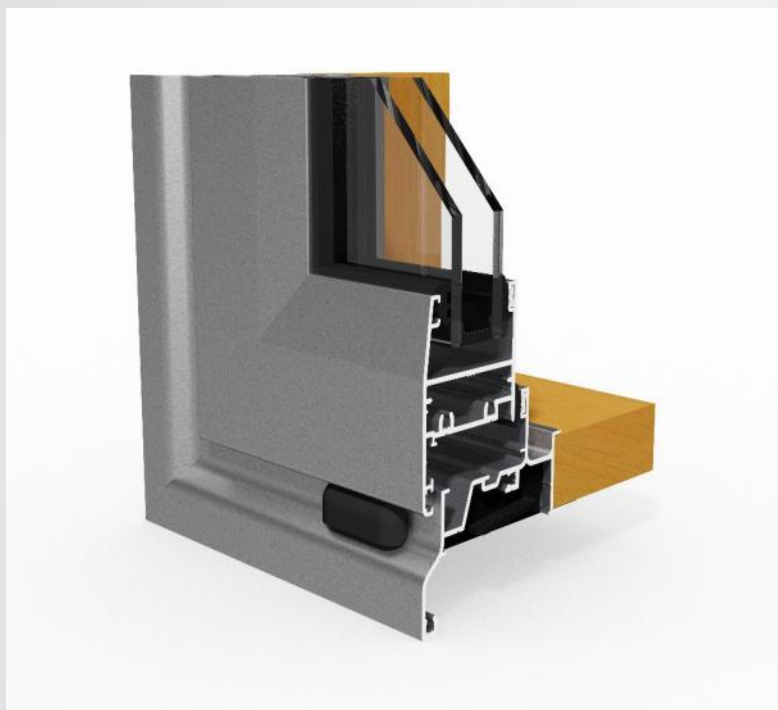
Architectural Linear 35



- Two levels of Architectural frames
- Architectural frames at Residential pricing
- Seamless integration within the home
- Frames are automatically upgraded in strength but only for units that require it
- Overall job pricing is kept to a minimum



Architectural Linear 35 - Comparison



A003 Classic Awning Window



F340 Architectural 35 Awning Window

Architectural Linear 35 - Comparison

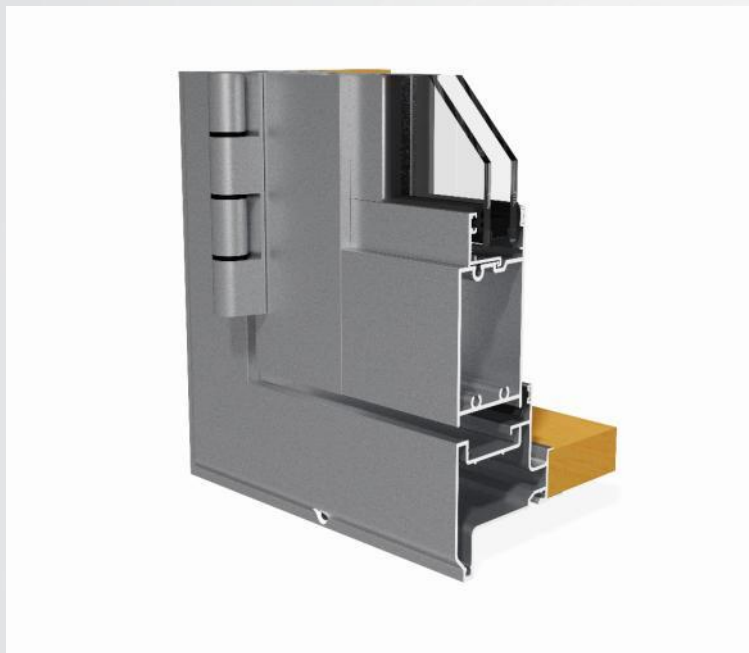


F112 Classic Hinge Door
Open In

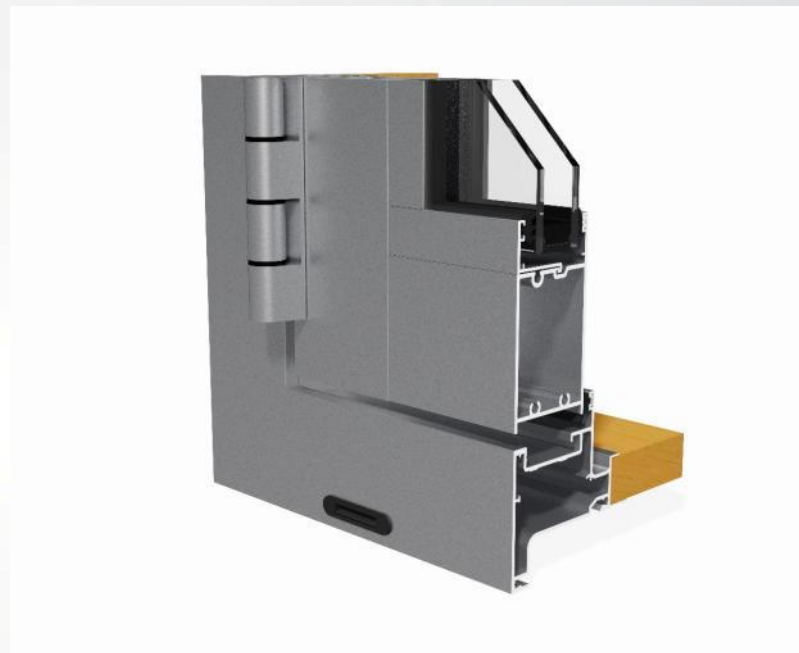


F350 Architectural 35
Hinge Door Open In

Architectural Linear 35 - Comparison



F116 Classic Hinge Door
Open Out



F350 Architectural 35
Hinge Door Open Out

Architectural Linear 35 - Comparison

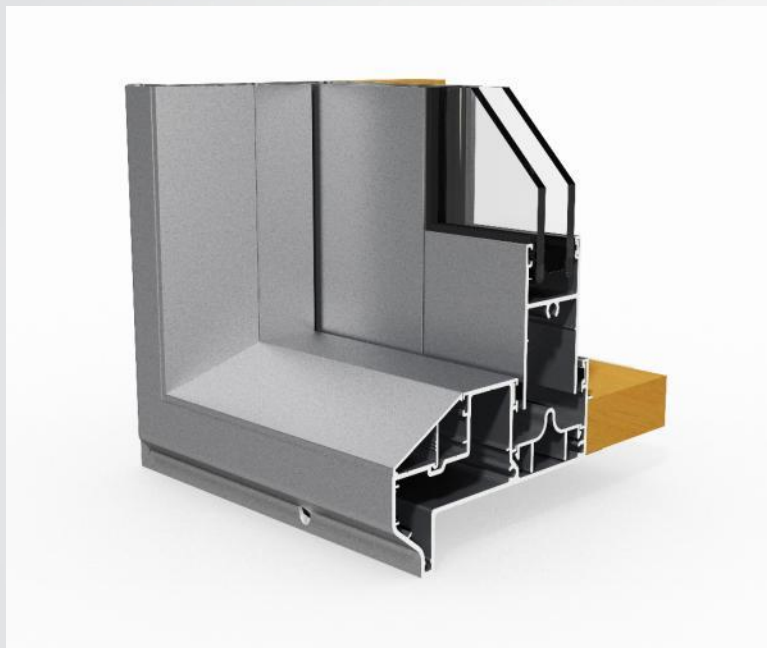


F114 Classic Bifold Door
Open Out



F350 Architectural 35
Bifold Door Open Out

Architectural Linear 35 - Comparison



A202 Classic Sliding Door



F764 Architectural 35
Sliding Door

Architectural Linear 35 - Comparison



A206 Classic Stacker



F763 Architectural 35
Stacker

Architectural Linear 35



FEATURES	ADVANTAGES	BENEFITS
Complete range	Consistent flush external appearance	Contemporary look which can be matched with other ranges
24mm IGU Capacity	Flexibility to use a wide range of glass options	Increased performance from standard product
Flush Tracks	Flat appearance	Aesthetically pleasing
200kg panels	Larger openings	More design flexibility
MO091 Drainage	Eliminates Water Egress	Drier Homes with a consistent visual drainage solution



Thermal

Standard, 45mm, 45mm Timberclad, 55mm

Premium 45



Features

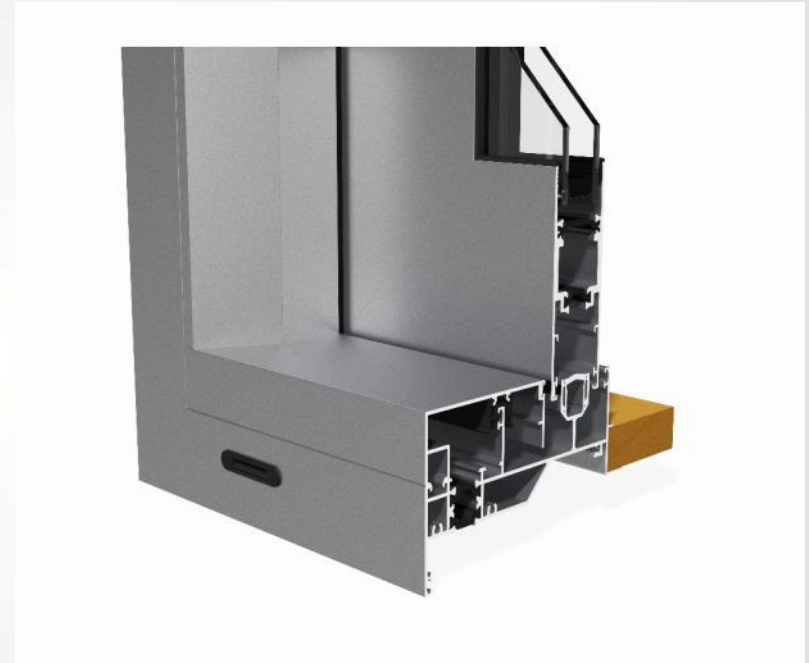
- Dual colour options
- 30mm glazing capacity

Advantages

- Increase design flexibility
- Provides architectural aesthetic and performance

Benefits

- Joinery matches internal and external colour palette
- A contemporary look with a thermal improvement for a warmer, drier, healthier home



Premium 45 Timberclad



Features

- Internal timber linings
- Only thermally broken composite suite

Advantages

- Architectural aesthetic in a residential thermal platform

Benefits

- Architectural aesthetic in a residential thermal platform



Premium 55



Features

- 40mm glazing capacity
- Large overall platform and panel widths

Advantages

- Allows for triple glazing
- Offering architectural aesthetic and performance

Benefits

- Greater design flexibility
- Ability to triple glaze



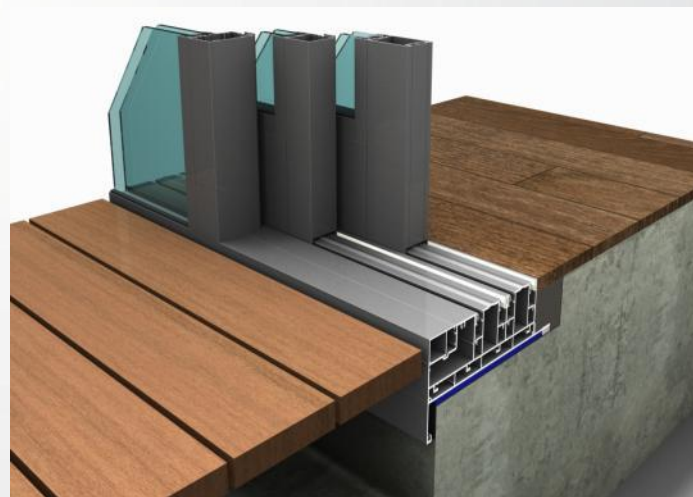
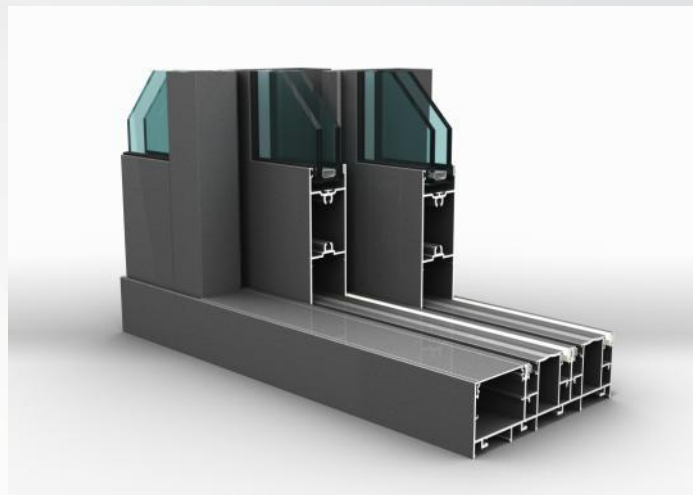


Sliding Door Systems

Internal Slider



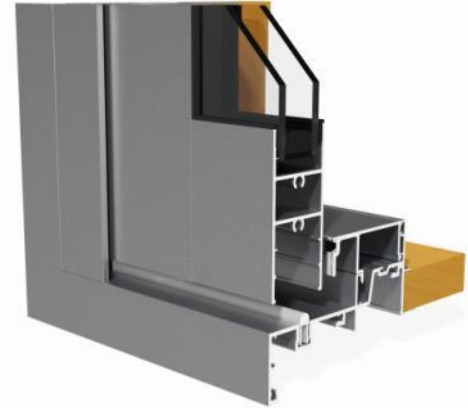
- Ability to install Flush inside and out
- Different capacity in frame and rollers to suit door size and weight
- Same aesthetic



External Slider



- Step between inside and outside levels
- Required to create water/head drainage
- Minimal tracks





Thank you.